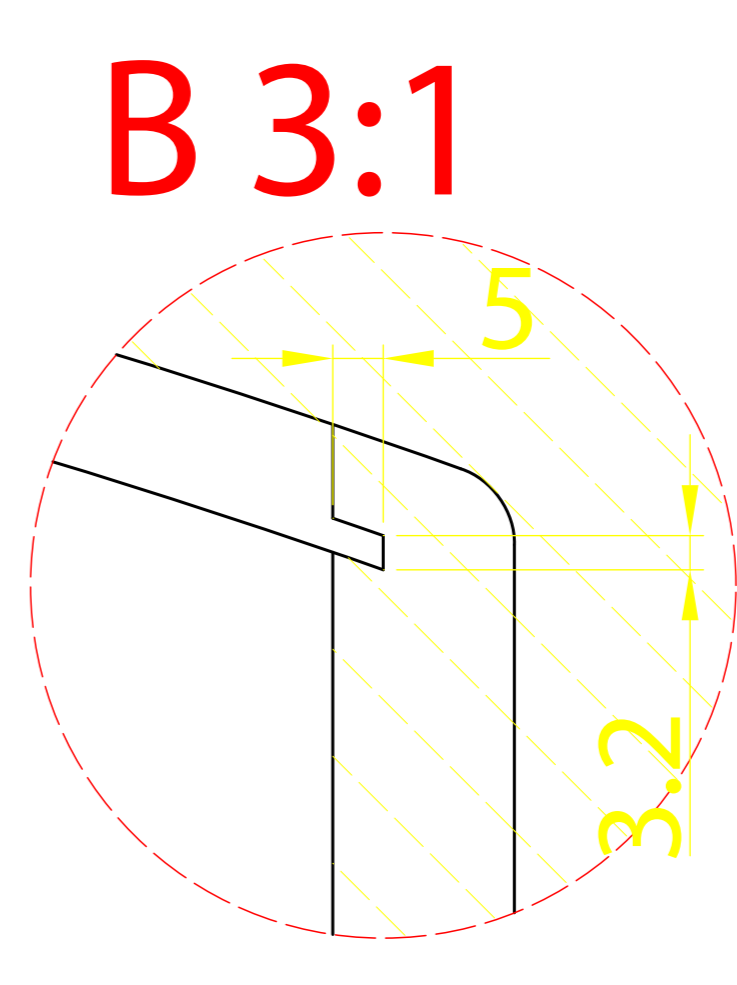
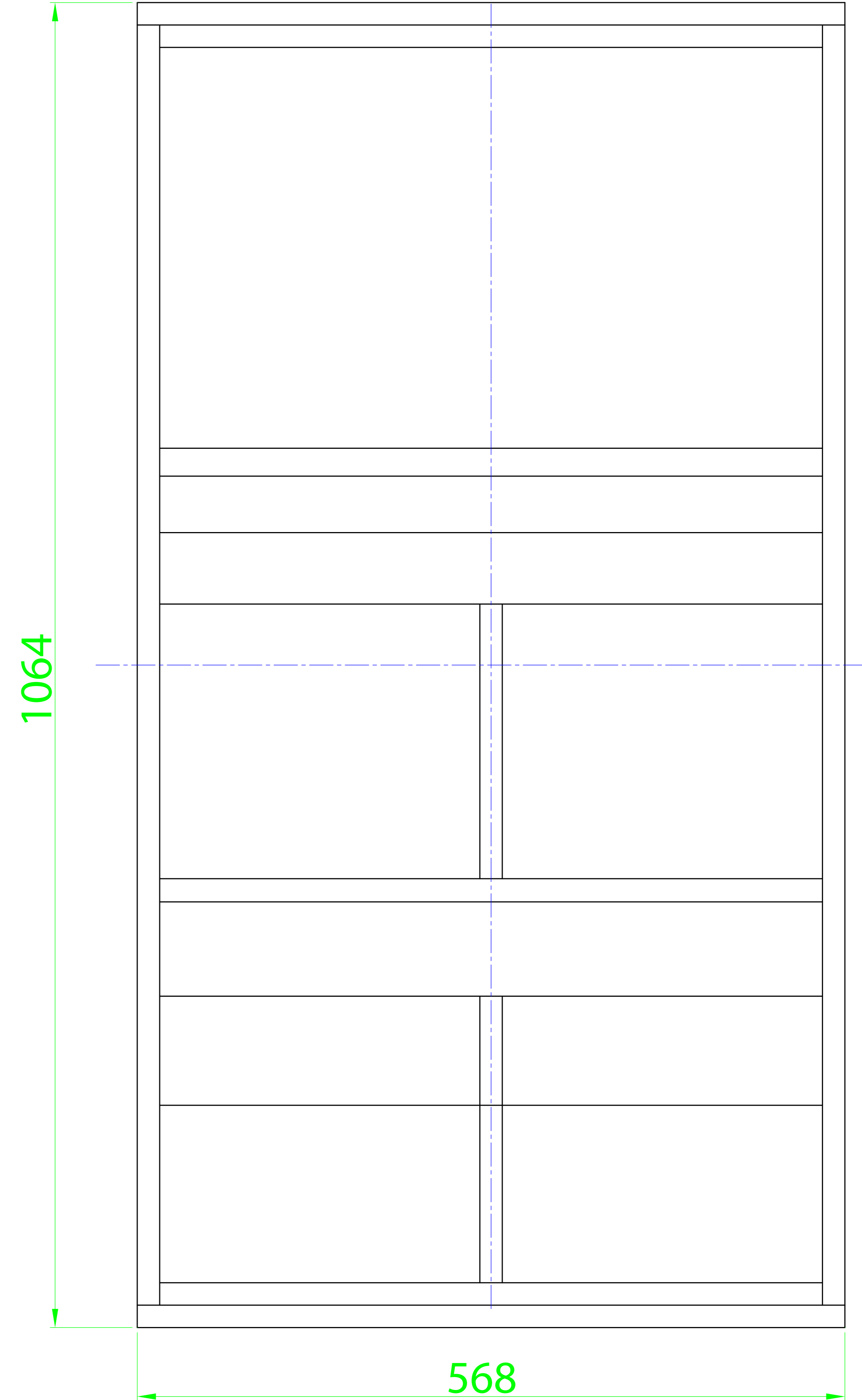
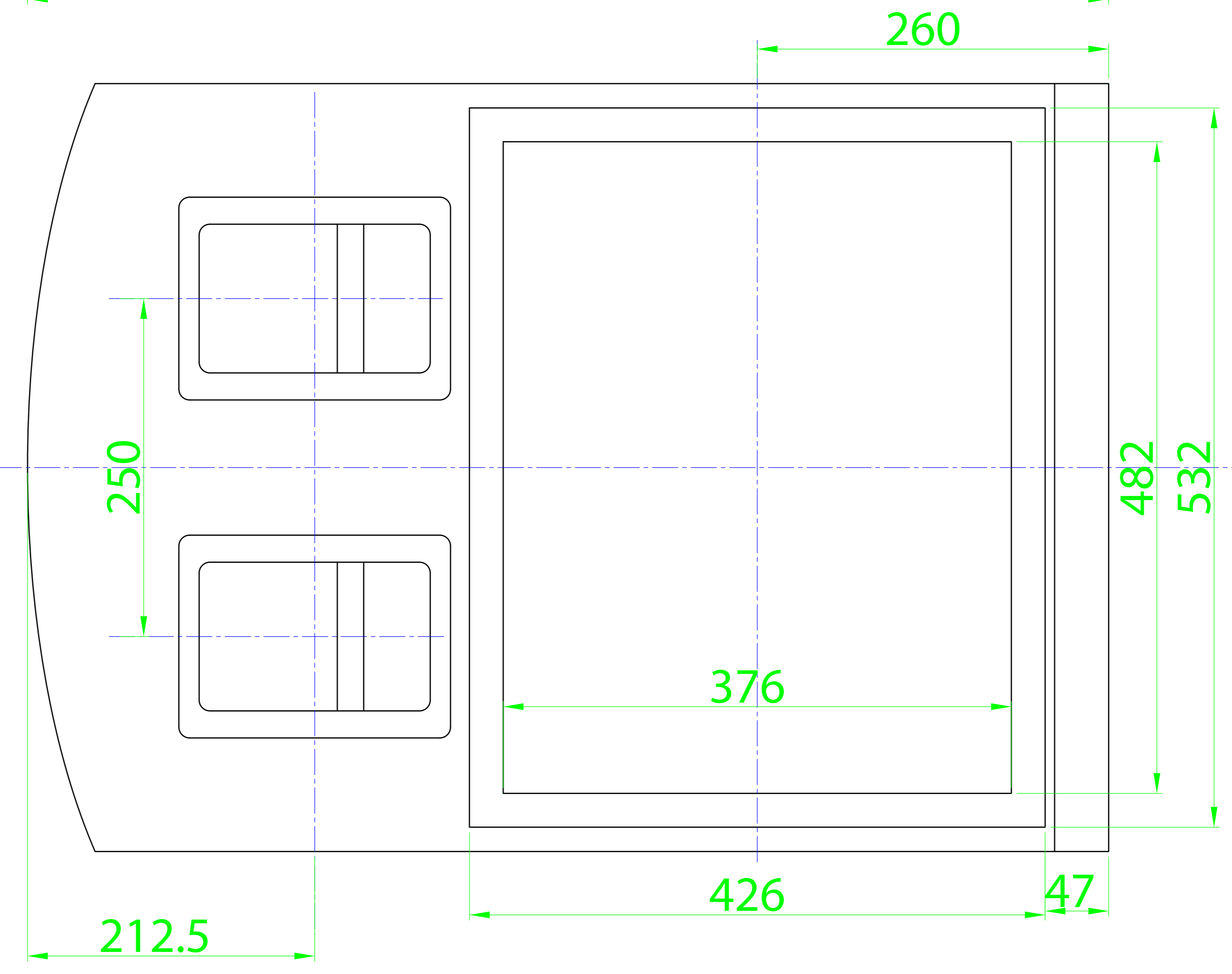
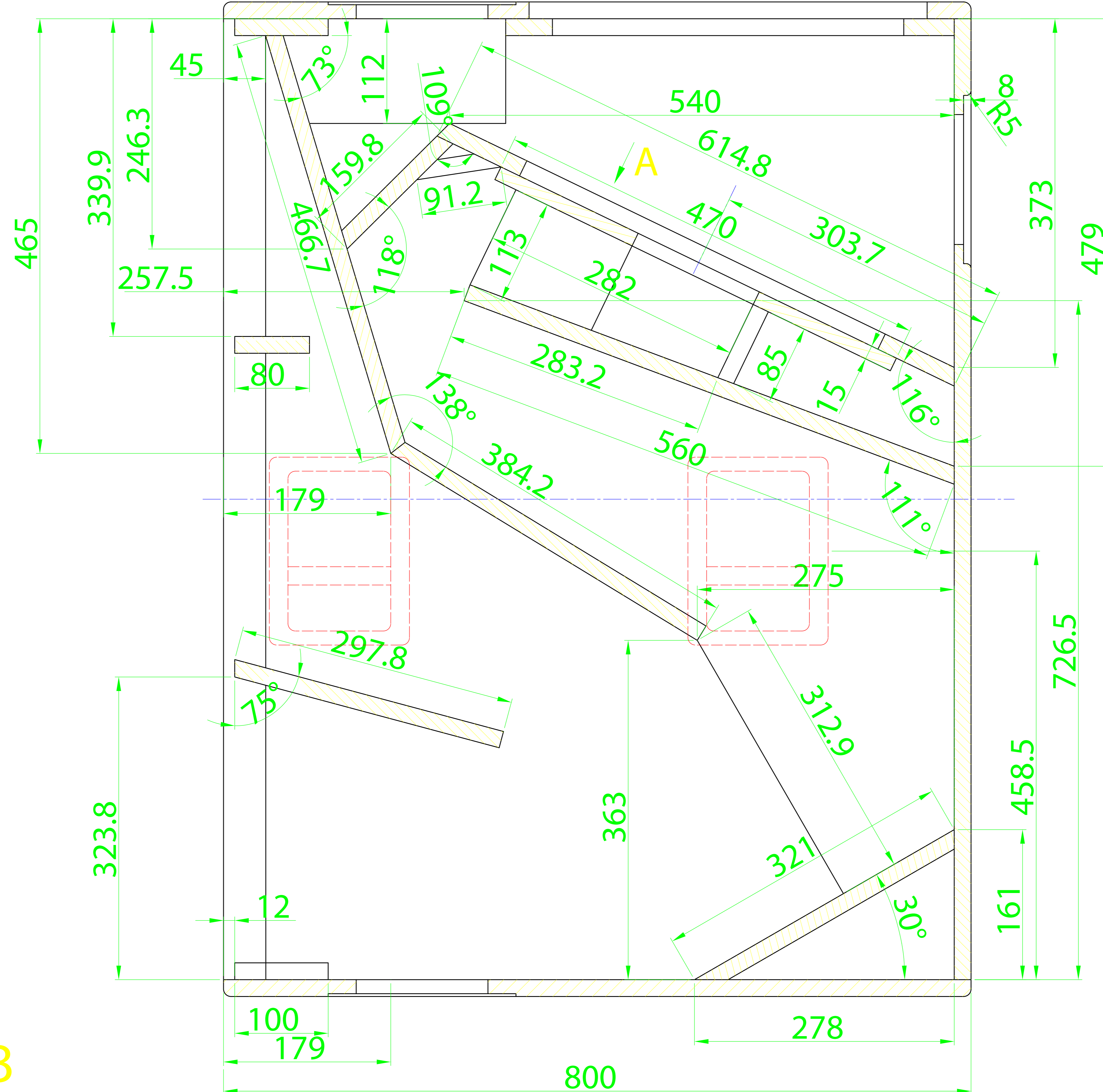
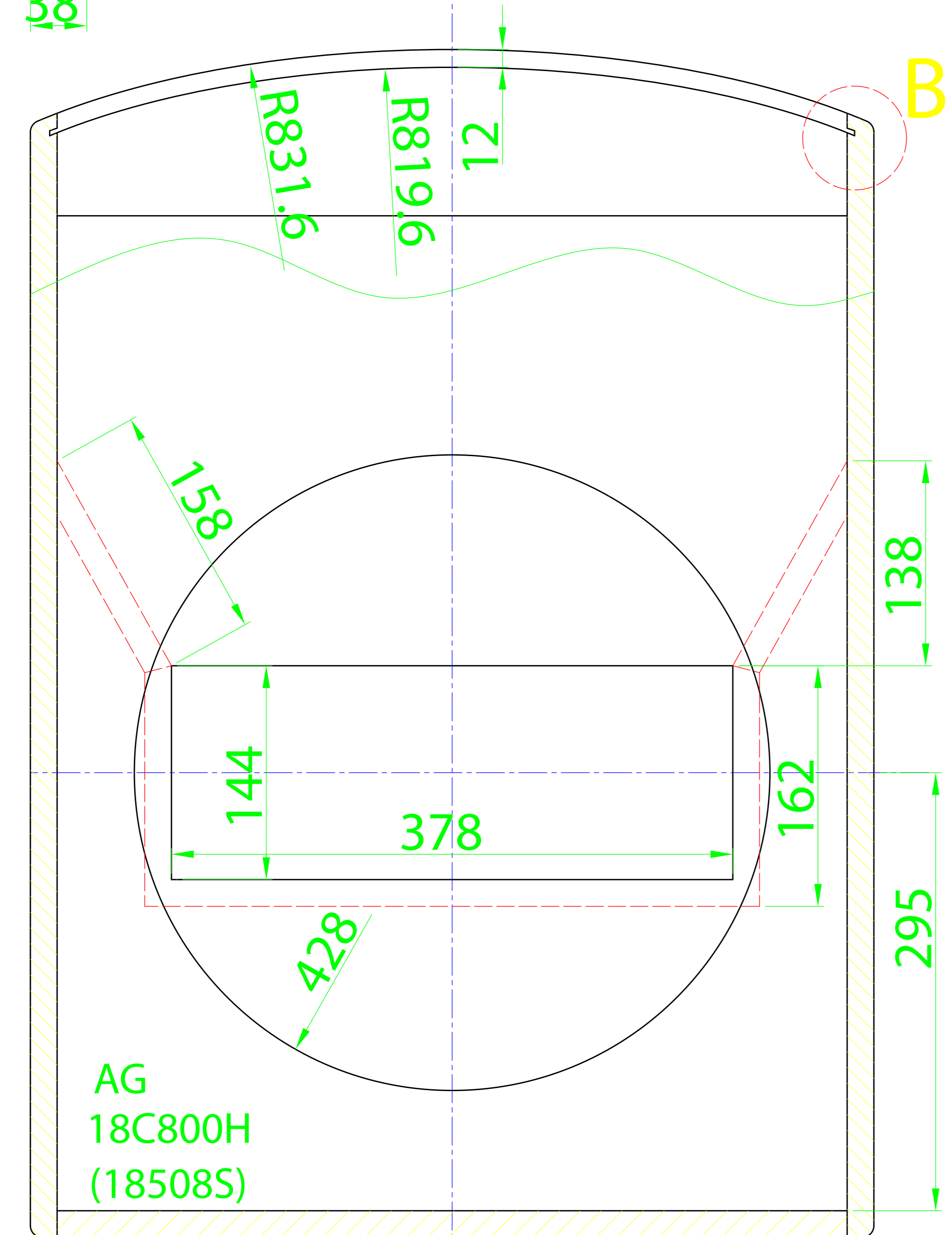
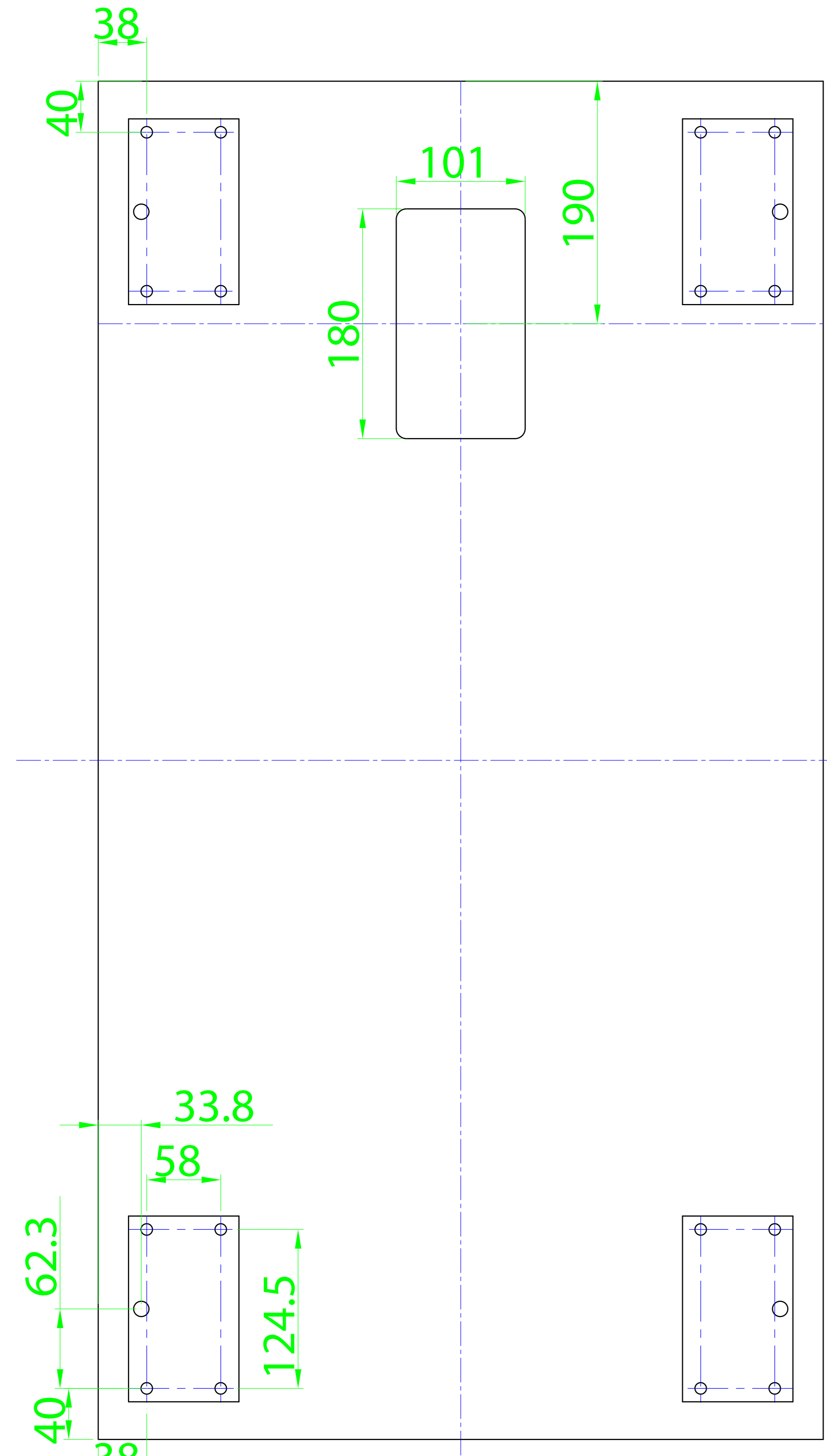


**TOLERANCE
(IT15)**

DIM mm	TOL (mm)		3		6		10		18		30		50		80		120		180		250		315		400			
	ABOVE	BELOW	3	6	10	18	30	50	80	120	180	250	315	400	500	1.15	1.25	1.5	1.05	0.925	0.800	0.700	0.600	0.500	0.420	0.350	0.290	0.240



APVD	CK	M.CK	DRAW	DESIGN	INDEX	MATERIAL	FINISH	TITLE	PART No	DOCUMENT No	SCALE	QUANTITY	ANGLE
			27/10/2004			t=18mm	black	TS118H		PRM041027001	AG AUDIO PRO		

DO NOT SCALE THIS DRAWING.